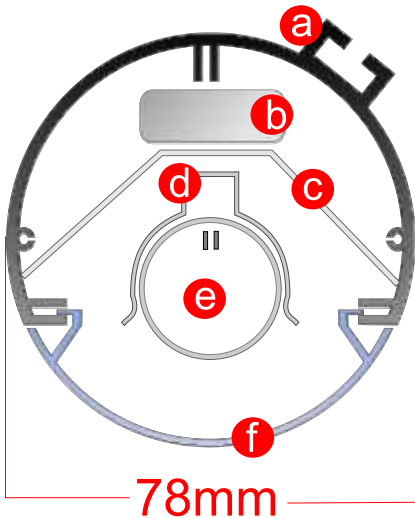


## Lamp components



- a- extruded aluminium casing
- b- fluorescent control gear
- c- mirror finish reflector
- d- tube clip
- e- T8 triphosphor tube
- f- clear cover



Electrical Safety

This product requires a 240v supply. Installation of product by a competent person only.

## Paint finish options

Black (standard options)  
White

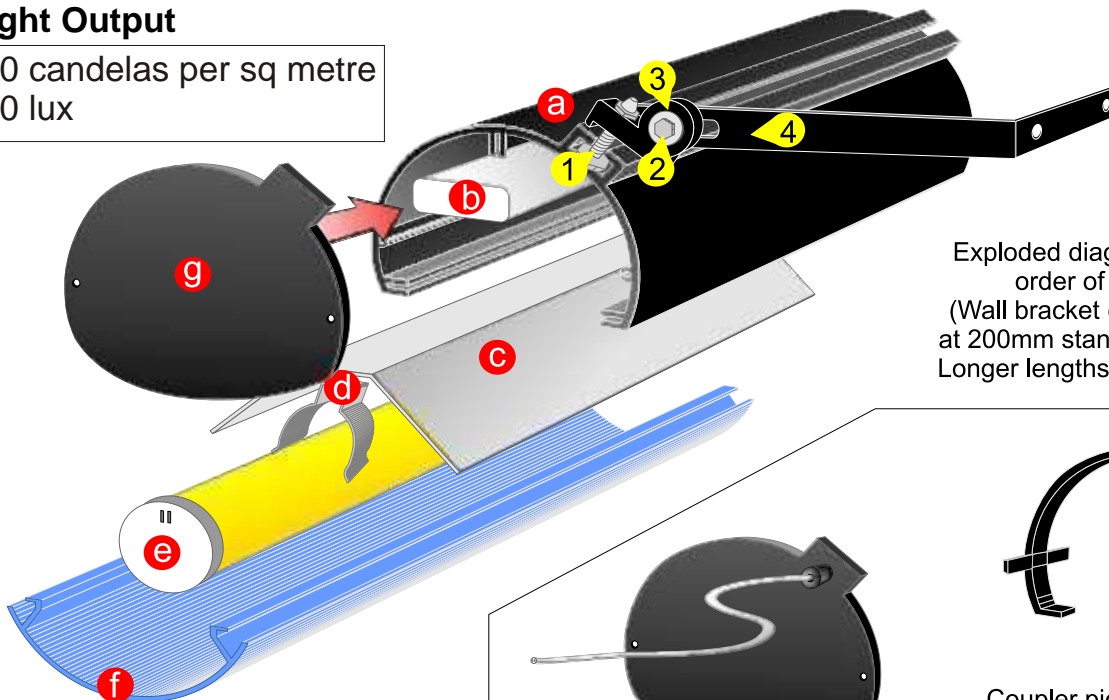
Any RAL colour subject to lead time and additional cost

## Bracket components

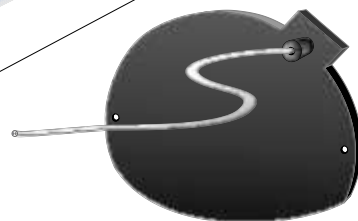
- 1- top slide nut
- 2- case to bracket connector
- 3- through bolt
- 4- bracket arm/ wall plate

## Light Output

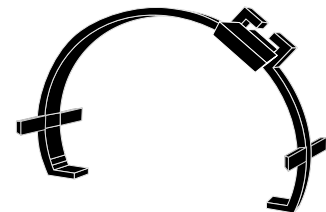
250 candelas per sq metre  
200 lux



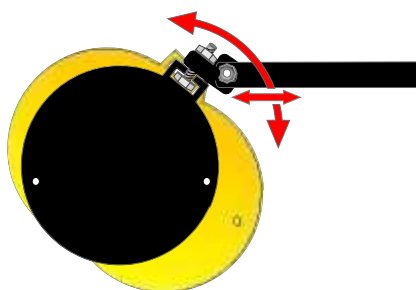
Exploded diagram showing order of loading.  
(Wall bracket (4) is supplied at 200mm stand off from wall. Longer lengths are available).



End cap with grommet & cable. These can be specified for left or right hand of lamps.



Coupler pieces are supplied for linking lights 6m+ in length. Electrical connection is via pre installed push fit connectors



All lights are adjustable on the wall bracket allowing for light beam aiming.

## Mounting bracket length options



All trough lights are supplied with 200mm long wall brackets as standard (S). Longer brackets which are designed to span overhangs and illuminate deep signs are available.